

EVEN UHF fixed reader

CF816



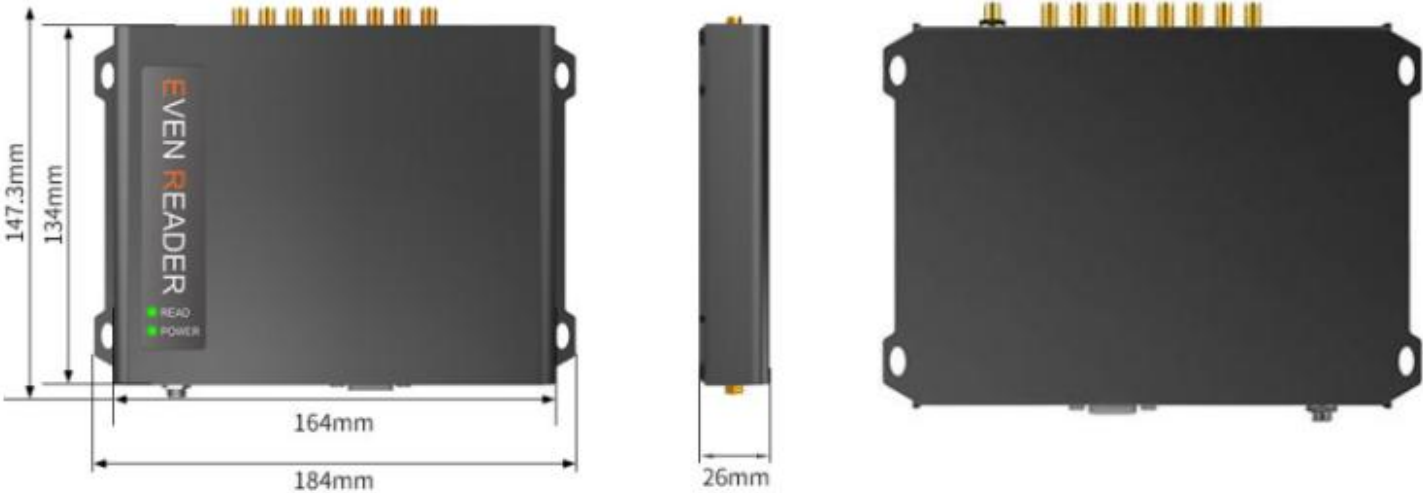
Characteristic

- Impinj E710 chip solution
 - Reading speed up to 800 tags per second
 - Support RSSI identification tag signal distance
 - Support multi-antenna anti-collision polling inventory
 - Support multiple languages to develop C#, Delphi, java, Python, VB and other languages
 - Applications: warehouse management, production control, asset tracking, laundry management, smart cabinets, waste management, etc.
-

Product specifications

RFID Technical Parameters		Data communication	
Frequency	Impinj E710 chip	Standard interface	USB、RS232、TCP/IP
Protocol	902~928MHz (US) 865~868MHz (EU)	Optional interface	POE (Mode A/B af)
RF output power	ISO18000-6C (EPC GEN2)	GPIO interface	2 sets of GPI & 2 sets of GPO
Reading speed	0dbm—33dbm(adjustable)	Antenna port	8 SMA female
Data cache	800pcs/s	power supply	12V 2A
Reading distance	600pcs @ 128bits EPC	Current consumption	0.5~1.2A
Anti-collision	0—25M	Development environment	
Operating mode	Quick polling and inventory of multiple antenna ports	SDK	Demo software, API, examples, user manual
RSSI	Active mode Answer mode	Development language	C#, Delphi, java, Python, VB and other languages
Frequency	Support	Firmware version	Support online upgrade
Physical parameters		Working environment	
Material	Sheet metal + oxidation spray paint	IP protection level	IP55
Size	147*184*26mm	Operating temperature	-10-+60°C
Net weight	0.6kg	Storage temperature	-20-+75°C
Package Size	200*255*100mm		
Package weight	1.3kg		

Detailed display






GPIO wiring definition

serial number	Signal	Content
1	Output1R	Universal optocoupler isolated output terminal 1+
2	Output1L	Universal optocoupler isolation output terminal 1-
3	Output2R	Universal optocoupler isolated output terminal 2+
4	Output2L	Universal optocoupler isolation output terminal 2-
5	GND	signal ground
6	Input1 +	Universal optocoupler isolation input terminal 1+
7	Input1-	Universal optocoupler isolation input terminal 1-
8	Input2 +	Universal optocoupler isolation input terminal 2+
9	Input2-	Universal optocoupler isolation input terminal 2-
10	GND	signal ground

RS232 D89 pin definition

serial number	Signal	Content
1	NC	reserve
2	RXD	RS232 data input
3	TXD	RS232 data output
4	NC	reserve
5	GND	ground
6	NC	reserve
7	NC	reserve
8	NC	reserve
9	NC	reserve

Related Products

Picture			
model	CF815	CF816	CF817
Output RF power	Impinj E710 Chip		
Reading speed	0dbm ~33dbm (adjustable)		
Reading distance	800pcs/s		
Antenna port	0~25 米(取决于天线&标签&应用环境)		
Picture	4 TNC RP female	8 SMA female	16 SMA female

