

EVEN UHF Fixed Reader

CF815



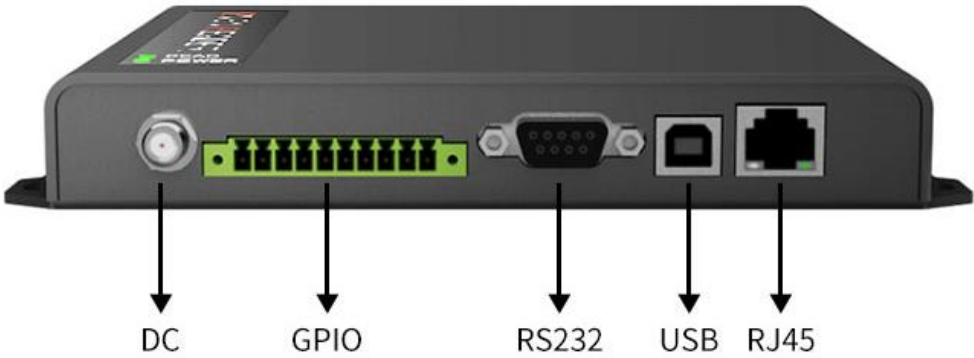
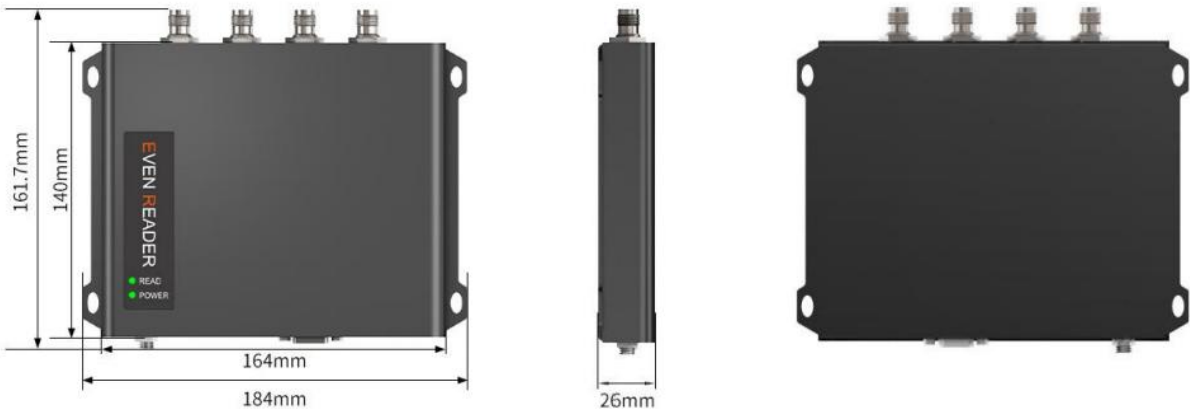
Features

- Impinj E710 chip engine
 - Max inventory speed 800 tags/s
 - Support multi-antenna ports anti-collision polling inventory
 - Support RSSI recognize tags signal distance
 - Support multiple c#,java,vc language for development
 - Applications: Warehouse Inventory management,Production control ,Asset tracking,laundry management ,intelligent cabinet , waste collection management etc.
-

Products Specification

RFID Technical Parameter		Data Communication	
Engine	Impinj E710 chip	Standard Interface	USB、RS232、TCP/IP
Frequency	902~928MHz (US) 865~868MHz (EU)	Customized Interface	POE (mode A/mode B af)
Protocol	ISO18000-6C (EPC GEN2)	GPIO interface	2 sets of GPI & 2 sets of GPO
RF Output Power	0dbm—33dbm(adjustable)	Antenna Port	4 Channel RP TNC Female
Inventory speed	800 tags/s	Power Supply	12V 2A
Data Cache	600pcs @ 128bits EPC	Current consumption	0.5~1.2A
Reading Distance	0—25 meter	Development Environment	
Anti-collision	Multi-antenna ports polling fast inventory	SDK	Include Demo software, API,Sample,User Manual
Work Mode	Active mode Answer mode	Development language	Support C#, java-jni, java-linux,VC,Android
RSSI	Support	Hardware Firmware	Support Remote upgrade
Physical Specification		Working Environment	
Material	Sheet metal + oxidation spray paint	IP grade	IP55
Dimension	184*161.7*26mm	Operating temperature	-10-+60℃
Net Weight	0.6kg	Storage temperature	-20-+75℃
Package size	200*255*100mm		
Gross weight	1.3kg		

Details Image



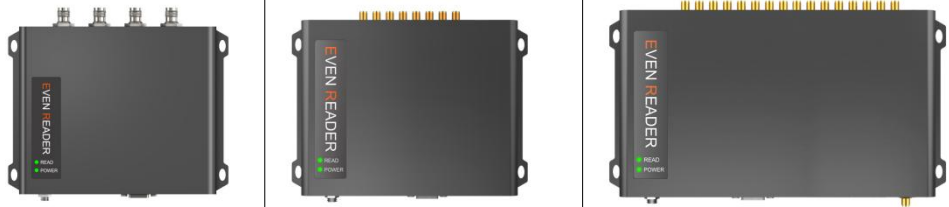
GPIO Pins Definition		
NO	Symbol	Content
1	Output1R	Universal optocoupler isolated output 1+
2	Output1L	Universal optocoupler isolated output 1-
3	Output2R	Universal optocoupler isolated output 2+

4	Output2L	Universal optocoupler isolated output 2-
5	GND	Signal ground
6	Input1+	Universal optocoupler isolation input 1+
7	Input1-	Universal optocoupler isolation input 1-
8	Input2+	Universal optocoupler isolated input 2+
9	Input2-	Universal optocoupler isolation input 2-
10	GND	Signal ground

RS232 D89 Pins Definition

NO	Symbol	Content
1	NC	reserve
2	RXD	RS232 data input
3	TXD	RS232 data output
4	NC	reserve
5	GND	grounding
6	NC	reserve
7	NC	reserve
8	NC	reserve
9	NC	reserve

Related Products

Photo			
Model Number	CF815	CF816	CF817
Engine	Impinj E710 Chip		
Output RF power	0dbm ~33dbm (adjustable)		
Inventory Speed	800pcs/s		
Reading Distance	0~25 meter (depends on antenna & tag & application)		
Antenna ports	4 channel RP TNC Female	8 channel SMA Female	16 channel SMA Female